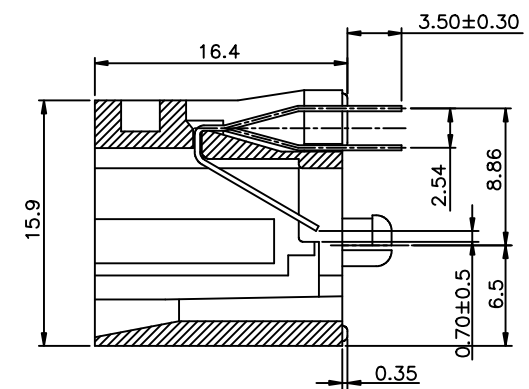
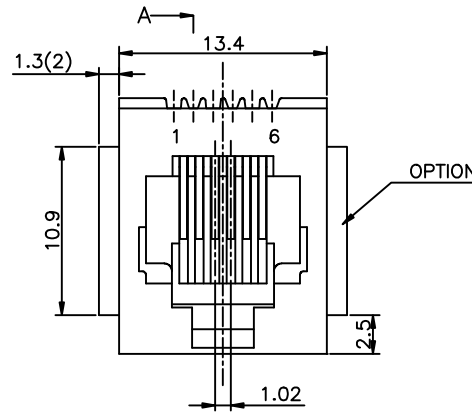


REVISION RECORD				
REV	ECO	DESCRIPTION	DRFT	CHKD



**NOTES:**

**ELECTRICAL:**

- VOLTAGE RATING : 125 VAC RMS.
- CURRENT RATING : 1.5 AMP.
- CONTACT RESISTANCE : 30 MILLIOHMS MAX.
- INSULATION RESISTANCE: 1000 MEGOHMS MIN @ 500 VDC.
- DIELECTRIC STRENGTH : 1000 VAC RMS 60Hz, 1MIN.

**MECHANICAL:**

- HOUSING MATERIAL : NYLON+30%.G.F(FR52) UL94V-0.
- CONTACT MATERIAL : PHOSPHOR BRONZE t=0.35mm.
- PLATING : GOLD PLATING OVER NICKEL.
- OPERATING LIFE : 750 CYCLES MIN.
- PCB RETENTION PRE-SOLDER : 1 LB MIN.
- PCB RETENTION POST-SOLDER: 10 LBS MIN.

**ENVIRONMENTAL:**

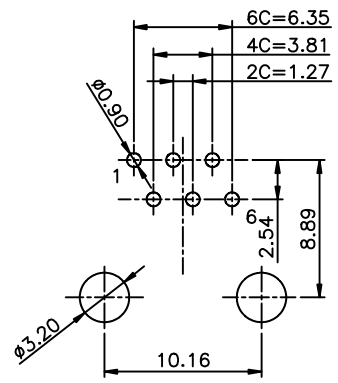
- STORAGE : -40°C TO +85°C.
- OPERATION: -40°C TO +85°C.
- WAVE SOLDERING TEMPERATURE: 255~265° (5~10 SECONDS)

MATES WITH MODULAR PLUG CONFORMING TO FCC PART 68, SUBPART F.

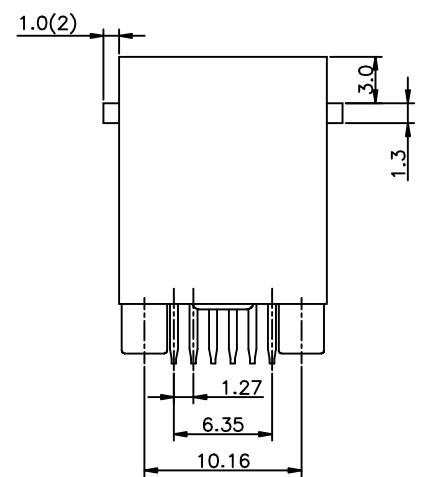
CUL FILE NO. E163191

PART NUMBER: E526X-YOLBXX-L

- NO. OF CONTACT:   
 2- 2C   
 4- 4C   
 6- 6C
- 1- 3u" 2- 6u"   
 3- 15u" 4- 30u"   
 5- 50u"
- 3- W/ PANEL STOP   
 4- W/O PANEL STOP



PC Board Layout Component Side Shown  
 THICKNESS=1.6mm



DETACHED LISTS	MM (INCH)	DFTO CXQ	DATE 03/05/05'
	TOLERANCES EXCEPT AS NOTED	CHKD	DATE
	MM	MFO	DATE
	.0 ± 0.2	APPVL XLF	DATE 03/10/05'
	.00 ± 0.15		
.000 ± 0.075			
ANGLES ± 0.5	QT'Y :		
THIRD ANGLE PROJECTION	FINISH :		
	SCALE : 1:1		

FULL RISE ELECTRONIC CO., LTD			
TITLE			
TOP ENTRY JACK (6P)			
DRAWING NO. GE523P09		SIZE	REV
/PART NO. SEE NOTE		A3	0
DO NOT SCALE DRAWING		SHEET X	OF Y